

MOWER CLAMP KIT

The mower motor clamps effectively eliminate vibration and noise caused by any imbalance in the blades. The addition of a clamp and bracket to each motor anchors the motors at a second point and minimizes any vibration that may occur.

1. With the mower removed from the tractor, assemble one clamp around the motor near the base. Place a bracket as shown in the Figure 1 and secure with the clamp.
2. Using the bracket as a drill jig, drill 2 holes using a 0.28 (9/32) inch drill bit through the angle support of the mower. Use care to prevent marring the mower housing when the drill bit penetrates the angle support.
3. Repeat steps 1 and 2 for the other angle support.
4. Remove the brackets and install on the underside of each support so their tabs are flush with the motor and directed upwards as shown in Figure 2. Secure with 1/4-20 x 3/4 inch bolts inserted from the top side with a lockwasher and nut below each support. Finger tighten each nut.
5. Install a motor clamp around each motor so it engages its corresponding bracket tab. While holding the clamp parallel with the mower deck, tighten the clamp screw. Locate the screw toward the angle support to be inconspicuous when mower is assembled to tractor.
6. After clamps are tightened, tighten nuts holding motor brackets to angle supports.
7. Reassemble mower to tractor.

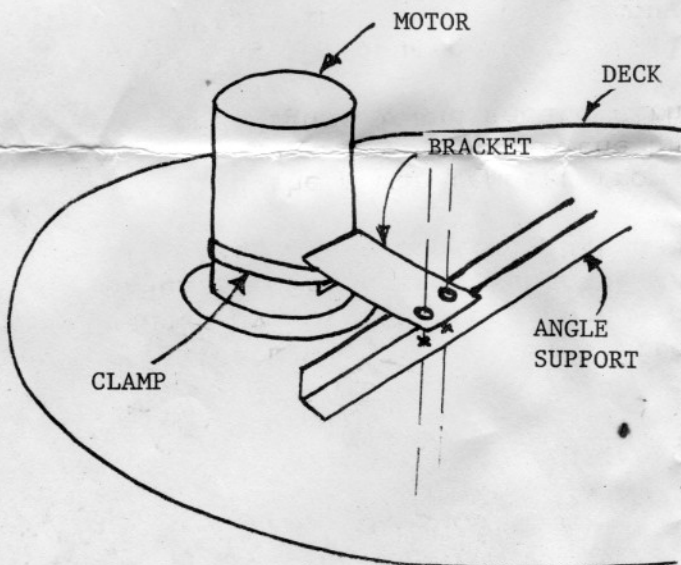


FIGURE 1

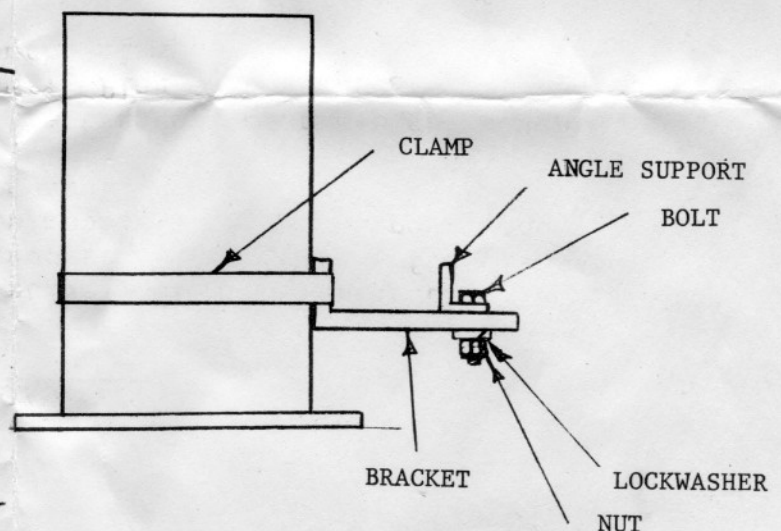


FIGURE 2