

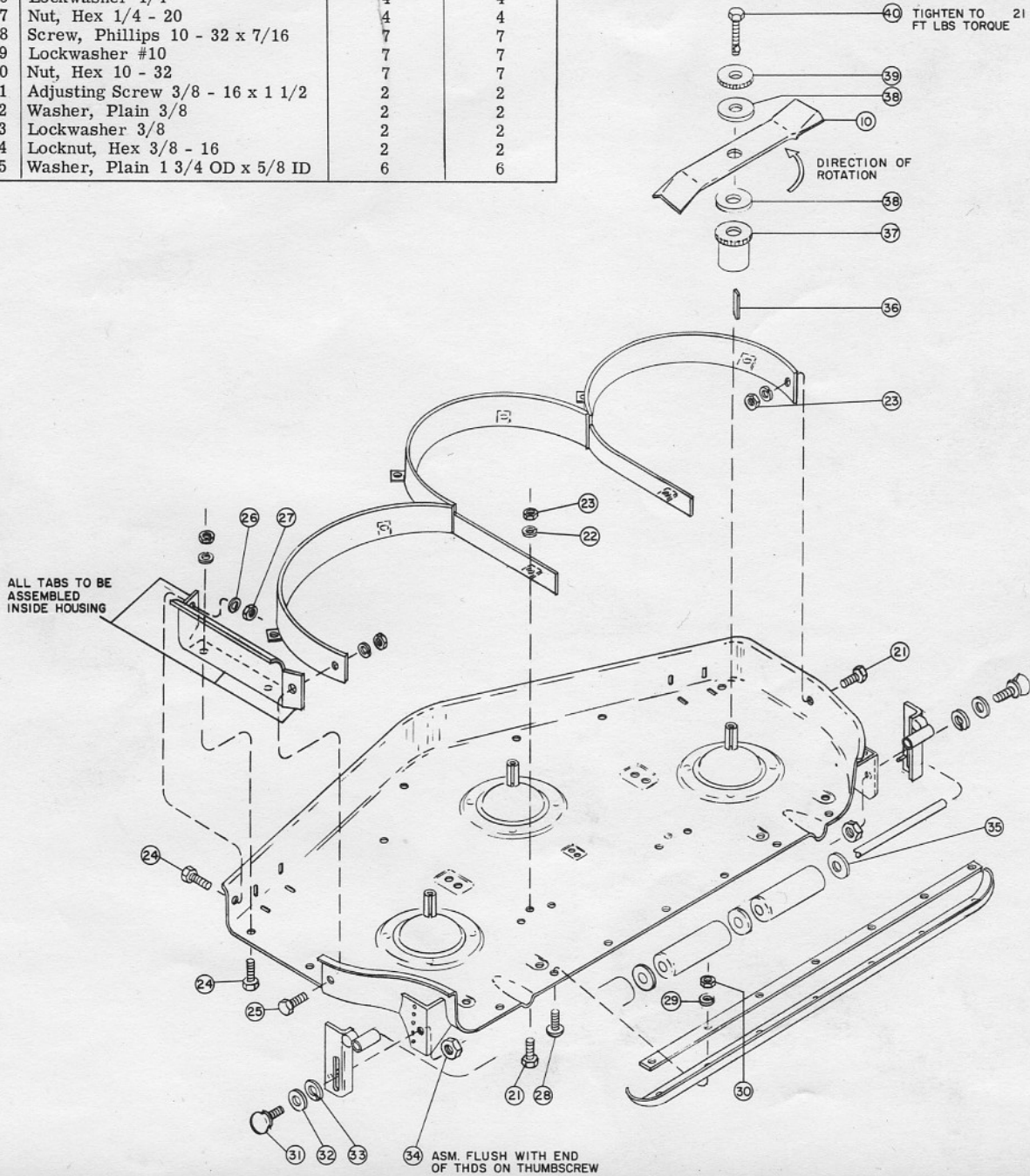


# Electrak<sup>®</sup> Tractor

GEZ-5182A

## MOWER ASSEMBLY - REAR DISCHARGE

Part No.	Description	No. Parts Per Assem	No. Parts Per Mower	Part No.	Description	No. Parts Per Assem	No. Parts Per Mower
21	Bolt, Hex Hd. 1/4 - 20 x 5/8	9	9	36	Key	1	3
22	Lockwasher 1/4	9	9	37	Clutch Body	1	3
23	Nut, Hex 1/4 - 20	9	9	38	Washer, Fibre	2	6
24	Bolt, Hex Hd. 1/4 - 20 x 5/8	3	3	39	Clutch Washer, Steel	1	3
25	Bolt, Hex Hd. 1/4 - 20 x 3/4	1	1	40	Bolt, Hex Hd. Locking 5/16 - 24	1	3
26	Lockwasher 1/4	4	4				
27	Nut, Hex 1/4 - 20	4	4				
28	Screw, Phillips 10 - 32 x 7/16	7	7				
29	Lockwasher #10	7	7				
30	Nut, Hex 10 - 32	7	7				
31	Adjusting Screw 3/8 - 16 x 1 1/2	2	2				
32	Washer, Plain 3/8	2	2				
33	Lockwasher 3/8	2	2				
34	Locknut, Hex 3/8 - 16	2	2				
35	Washer, Plain 1 3/4 OD x 5/8 ID	6	6				



General Electric Company  
 Outdoor Power Equipment Operation  
 Corporations Park, Bldg. 702  
 Schenectady, N. Y. 12345

GENERAL  ELECTRIC

PRINTED  
 IN U.S.A.