



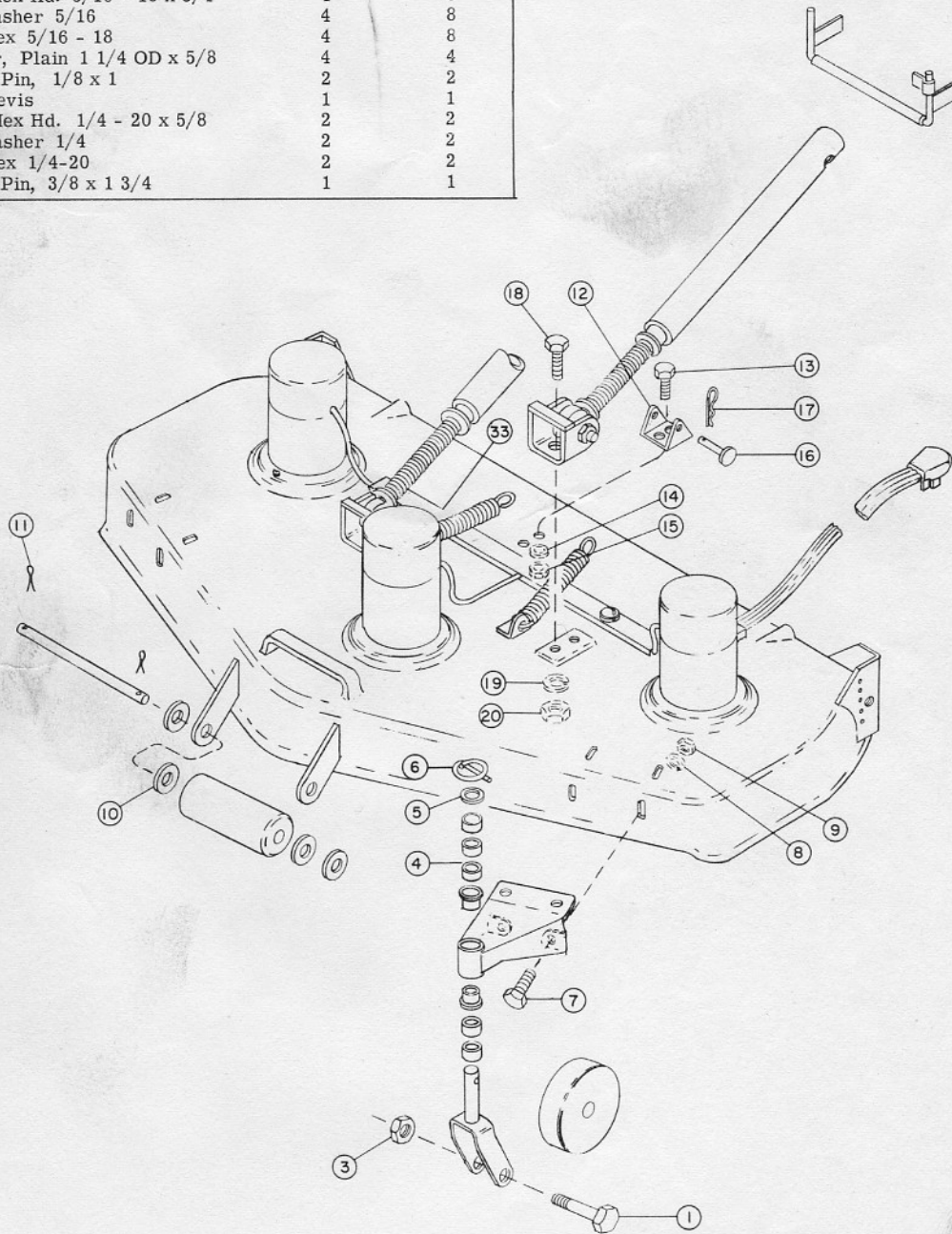
Electrak[®]

Garden Tractor

MOWER ASSEMBLY - TOP VIEW

GEZ-5181A

Part No.	Description	No. Parts Per Assem	No. Parts Per Mower	Part No.	Description	No. Parts Per Assem	No. Parts Per Mower
1	Bolt, Hex Hd. 1/2 - 13 x 3 1/2	1	2	17	Hairpin Cotter	1	1
3	Nut, Hex Locking 1/2 - 13	1	2	18	Bolt, Hex Hd. 3/8 - 16 x 7/8	2	4
4	Spacer	5	10	19	Lockwasher 3/8	2	4
5	Washer, Plain 1 3/8 OD x 3/4 ID	1	2	20	Nut, Hex 3/8 - 16	2	4
6	Spring Pin	1	2				
7	Bolt, Hex Hd. 5/16 - 18 x 3/4	4	8				
8	Lockwasher 5/16	4	8				
9	Nut, Nex 5/16 - 18	4	8				
10	Washer, Plain 1 1/4 OD x 5/8	4	4				
11	Cotter Pin, 1/8 x 1	2	2				
12	Lift Clevis	1	1				
13	Bolt, Hex Hd. 1/4 - 20 x 5/8	2	2				
14	Lockwasher 1/4	2	2				
15	Nut, Hex 1/4-20	2	2				
16	Clevis Pin, 3/8 x 1 3/4	1	1				



General Electric Company
 Outdoor Power Equipment Operation
 Corporations Park, Bldg. 702
 Schenectady, N. Y. 12305

GENERAL  ELECTRIC