



INSTRUCTIONS

SEAT SPRING KIT

Model AP45

The AP45 Seat Spring Kit can be added to all large frame Elec-Trak tractors. The original seat is used with this kit.

INSTALLATION

One-Piece Seat

1. Thread pan-head phillips screws in the corner battery box cover holes into "T-nuts" so the sharp edges of the "T-nuts" penetrate the surface of the cover stiffener. Tighten the screws for maximum penetration. These screws secure the stiffener to the cover when the seat assembly is removed for adjustment. See Fig. 1.

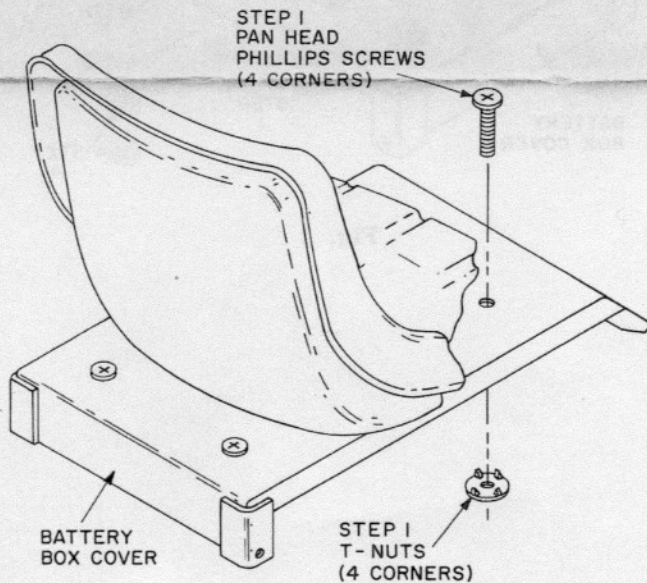


Fig. 1

2. Remove the four bolts securing the seat from the underside of the cover. Retain the bolts and washers for reuse.

3. Place the "U-shaped" springs on the cover so that their open sides face the rear of the tractor,

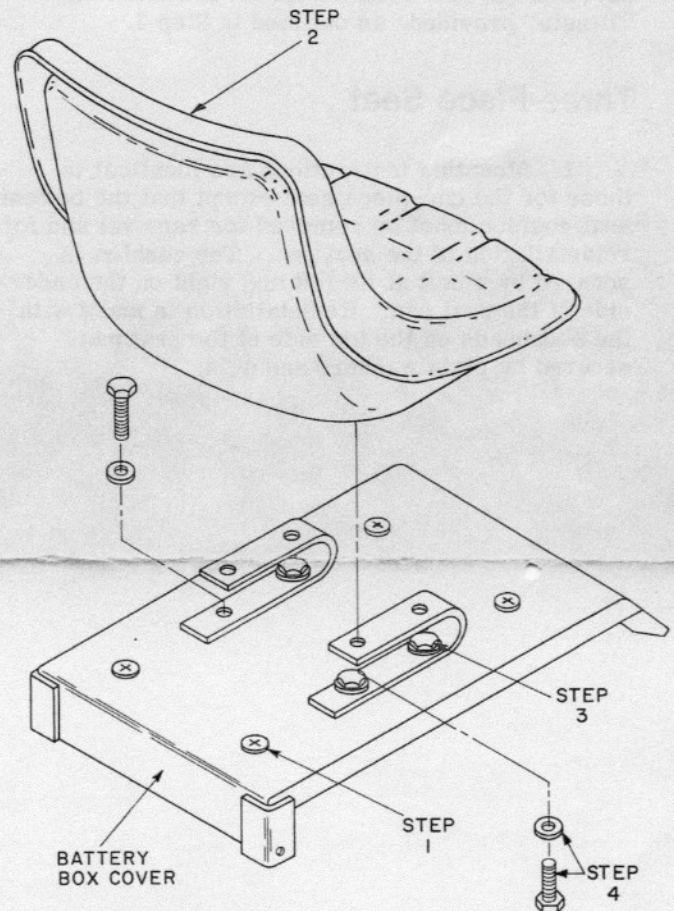


Fig. 2

and the holes in their longer sides align with similar pairs of cover holes. Secure the seat springs to the cover with hex-head bolts and plain washers on the top side of the cover threaded into "T-nuts" on the underside. Tighten the bolts to draw the "T-nuts" into the cover stiffener. See Fig. 1.

4. Align the seat holes with the holes in the seat springs. Secure them with the original hex-head bolts and plain washers.

