

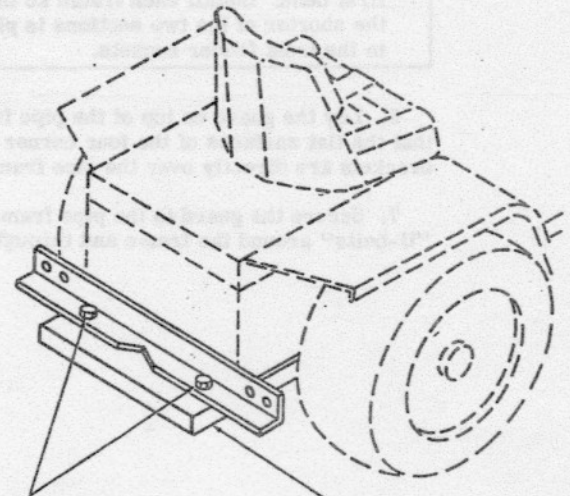


INSTRUCTIONS

OVERHEAD GUARD Model CF66

INSTALLATION

1. Insert the adapter arms into the frame openings at the rear of the tractor. Push in fully.
2. Using the angle support as a template, mark and drill two 7/16-inch holes in the adapter. See Fig. 1.
3. Lay the angle support across the adapter so that its center holes line up with the holes in the adapter, and its vertical side is closest to the tractor. Secure the angle support to the adapter with 3/8 x 7-inch bolts, lockwashers and nuts. See Fig. 2.
4. Install "U-bolts" in place at each end of the angle support so that their lockwashers and nuts are towards the tractor. (Do not tighten.)
5. Install the pipe frames in the front fender sockets and in the "U-bolts" at the rear of the tractor.



STEP 2
PUSH ADAPTER IN FULLY.
SQUARE AND CENTER ANGLE
SUPPORT ON ADAPTER AND
MARK AND DRILL TWO 7/16
INCH HOLES IN ADAPTER

STEP 1

Figure 1

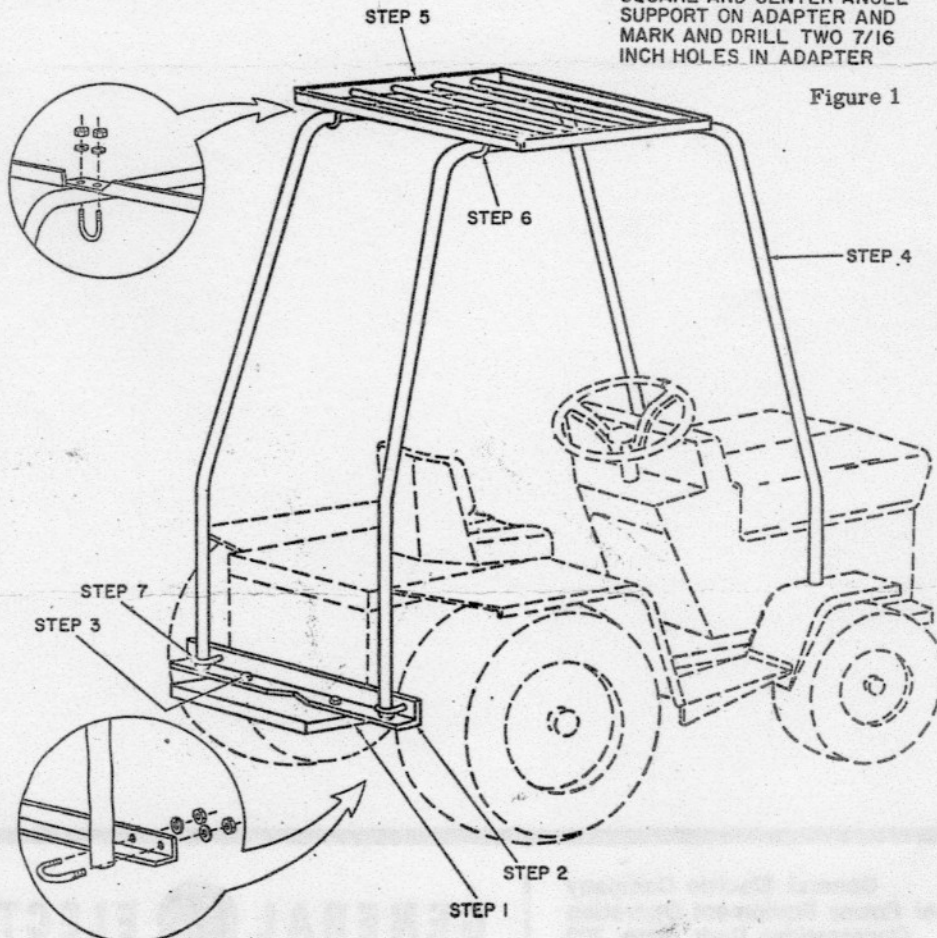


Figure 2



Electrak

Tractor

NOTE: The free ends of each pipe frame have a short straight section before its first bend. Install each frame so that the shorter of the two sections is placed in the front fender sockets.

6. Lay the guard on top of the pipe frames so that the flat surfaces of the four corner mounting brackets are directly over the pipe frame.

7. Secure the guard to the pipe frame with "U-bolts" around the frame and through the

mounting brackets, using lockwashers and nuts. Center the guard and tighten the "U-bolts".

8. Tighten the "U-bolts" holding the pipe frames to the angle supports.

REMOVAL

To remove the overhead guard assembly, it is necessary only to loosen the "U-bolts" on the angle supports. The assembly can then be lifted free of the tractor and the adapter withdrawn from the frame without the need of further disassembly.

General Electric Company
Outdoor Power Equipment Operation
Corporations Park, Bldg. 702
Schenectady, N.Y. 12345

GENERAL  **ELECTRIC**