

PARTS LIST AND INSTRUCTIONS

ARM REST

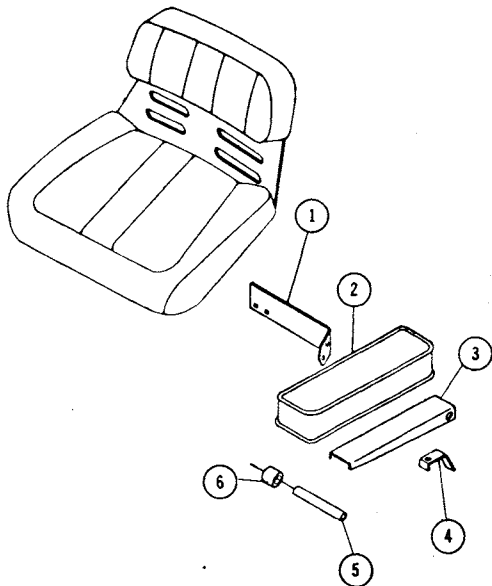
FACTORY ORDER NUMBER 8-2010

DESCRIPTION

The 8-2010 arm rest kit may be installed on all 1974 and 1975 "C" Series tractors, as well as "D-180" Model tractors.

INSTALLATION INSTRUCTIONS

1. Bolt the R.H. and L.H. brackets (1) to the back of the seat. Insert the $\frac{3}{8}$ " Carriage bolts from the front, through the uppermost slot, and secure with the $\frac{3}{8}$ " flange nuts.
2. Bolt the arm rest pads (2), arms (3), and arm stops (4) together as shown in the parts drawing using the $\frac{5}{16}$ " hex bolts and lockwashers.
3. Insert the 3" long bolts in the brackets from the inside pointing out from the seat. On the lower bolt install a $\frac{3}{8}$ " washer and a spacer (5), and secure with a $\frac{3}{8}$ " Eslok nut.
4. On the upper bolt, install a short spacer (6), a long spacer (5), and then the arm assembly. Secure with the remaining $\frac{3}{8}$ " Eslok nuts.



ITEM NO.	PART NO.	DESCRIPTION	NO. REQ'D.
1	104103	Bracket — R.H.	1
	104104	Bracket — L.H.	1
	900062	Bolt, $\frac{3}{8}$ -16 x $\frac{3}{4}$ Carriage	4
	960012	Nut, $\frac{3}{8}$ -16 Flange	4
2	104101	Arm Rest Pad	2
3	104105	Arm	2
4	104102	Arm Stop	2
	908016	Bolt, $\frac{5}{16}$ -18 x $\frac{5}{8}$ Hex	4
	920082	Lockwasher — $\frac{5}{16}$ Plain	4
5	979242	Spacer	4
6	979094	Spacer	2
	908042	Bolt, $\frac{3}{8}$ -16 x 3 Hex	4
	920039	Washer — $\frac{3}{8}$ U.S.	1
	915113	Nut, $\frac{3}{8}$ -16 Eslok	4



WHEEL HORSE

lawn & garden tractors

WHEEL HORSE PRODUCTS, INC.

515 West Ireland Road

South Bend, Indiana 46614