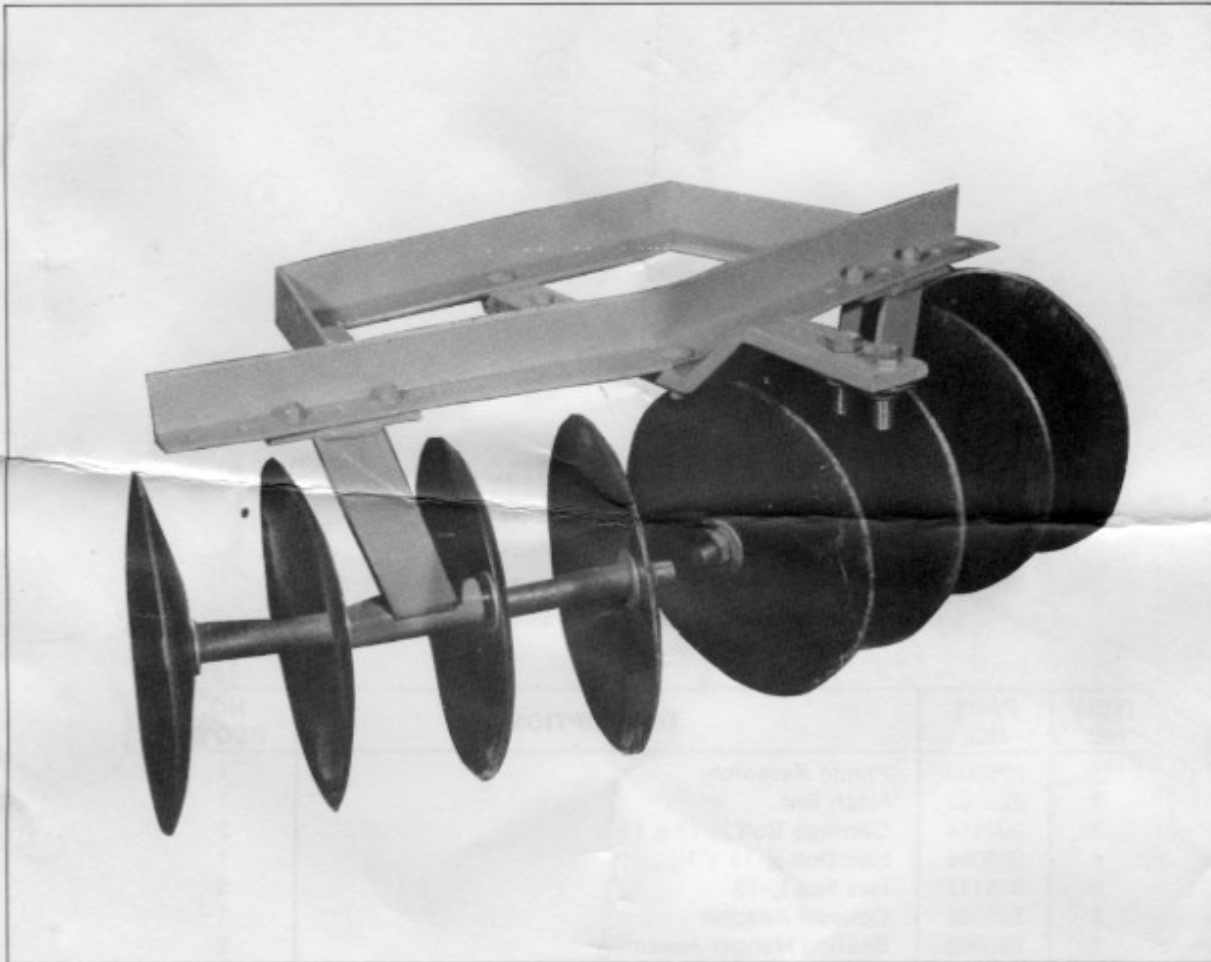


PARTS LIST

AND

INSTRUCTIONS



42" DISC



WHEEL HORSE
lawn & garden tractors

67-42DS01

HITCH REQUIREMENTS

The tractor must be equipped with a Type A Clevis Hitch. Hitch mounting instructions are included with the hitch accessory.

NOTE: The stabilizer bolts should not be tightened for operation thus allowing the disc to pivot for turns. Tighten the stabilizer bolts when transporting the disc. When extra weights are added, it is not possible to lift the disc with the hand lever and the discs should be set at 0° for transporting.

OPERATION

The channel frame is made so that extra weight may be added to improve penetration of hard or dry soils. It will hold two standard 8 x 8 x 16 cement blocks, one on each side. See the special notes under Hitch Requirements concerning the use of extra weights.

The tractor operator can set the angle of the disc gang assemblies at 0°, 10°, 15°, or 20° without leaving the driver's seat.

For average soil conditions, set the gang assemblies at 10° or 20°. It is best to start discing operations at slow speed, increasing speed when you can do it comfortably as work progresses and clods break down to smaller size. The type of seed bed desired, type and moisture content of the soil, and the weight on the disc harrow will determine the number of times the soil will have to be worked.

LUBRICATION

There are two pressure grease fittings on the disc, one on each disc gang. These should be greased every day when in use. When the disc is to be stored, a coating of grease on the blades is helpful in preventing rust.

PARTS LIST — 42" DISC

FACTORY ORDER NUMBER 67-42DS01

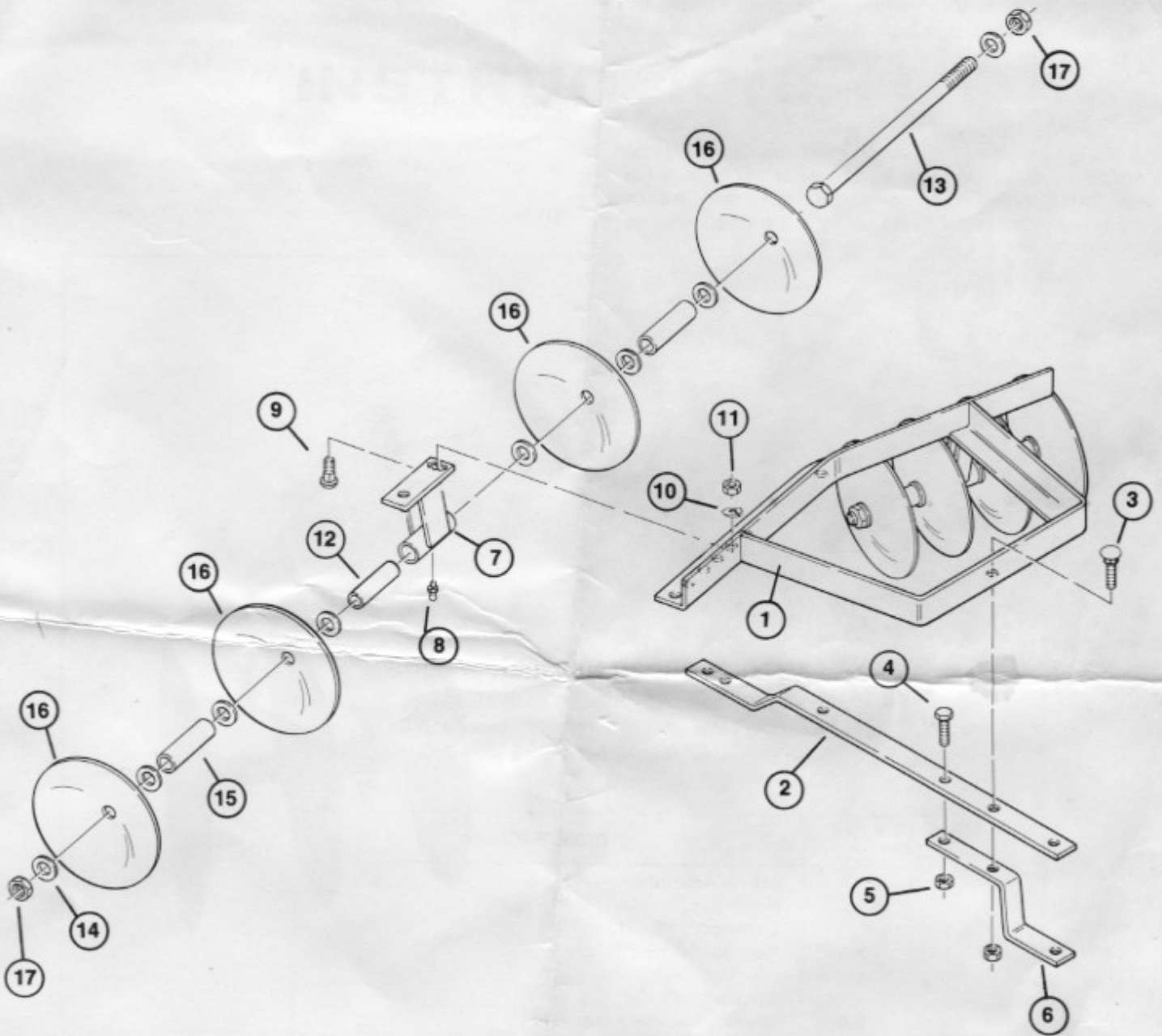
Parts available only through Authorized Dealers.

When ordering parts always list Part Number and Description.

(Specifications subject to change without notice.)

ITEM NO.	PART NO.	DESCRIPTION	NO. REQ'D.
1	226000	Frame Assembly	1
2	226001	Hitch Bar	1
3	900114	Carriage Bolt ½-13 x 1½	2
4	908059	Hex Bolt ½-13 x 1½	1
5	915115	Hex Nut ½-13	3
6	226002	Coupler Adapter	1
7	226003	Bearing Hanger Assembly	2
8	226004	Grease Fitting	2
9	900063	Carriage Bolt ¾-16 x 1	4
10	920083	Lockwasher ¾	4
11	915113	Nut ¾-16	4
12	226005	Bearing	2
13	226006	Hex Bolt ¾-10 x 16	2
14	920044	Washer	16
15	2110	Spacer	4
16	2108	Disc Blade	8
17	915241	Jam Nut ¾-10	4

EXPLODED VIEW 67-42DS01 42" DISC





WHEEL HORSE
lawn & garden tractors

515 West Ireland Road, South Bend, Indiana 46614